



THE MOUSE VALVE SERIES

EV, ET, EC SERIES VALVES

Like a mouse, this valve is quiet and quick! Valves accept low voltage, low current signals, convert them into high pressure (100 psig) pneumatic outputs. Optional low pressure/medium flow and low pressure/high flow are available. (The air supply should be reasonably clean and dry for optimum performance. Recommended filtration is 40 micron.)

Valve caps are of molded Hytrel®. Depending upon valve type, cap is:

- plain top on 2-way models
- with exhaust holes in cap on certain 3-way models
- with fitting, as shown, for 3-way N.O. styles for N.C. exhaust (inlet when N.O.)

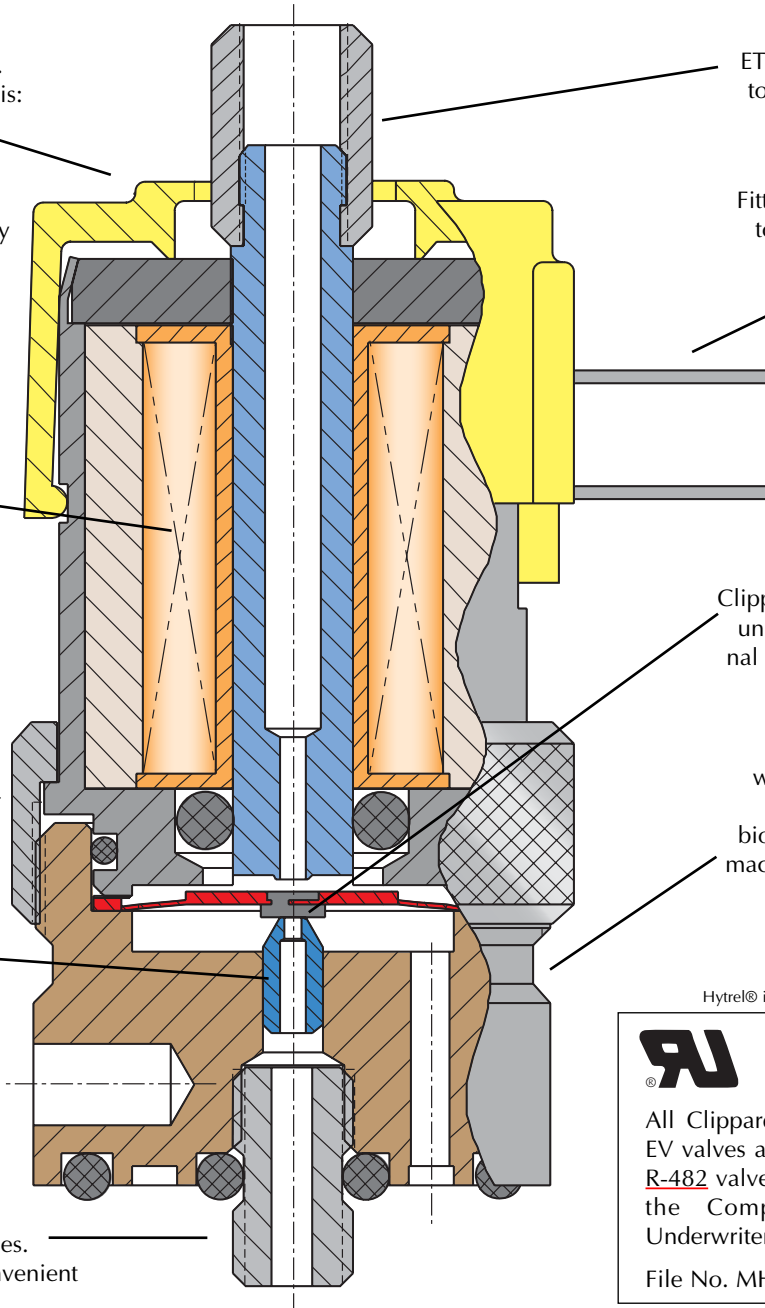
Low power coil uses only 0.67 watts at the rated voltage. Standard voltages include 6, 12 and 24. Other voltages are available.

Adjusting ring may be loosened for positioning to orient connections.

DO NOT REMOVE.
Parts orientation will be lost and warranty voided.

Standard orifice is 0.025. Also available are:
L - 0.040" orifice
H - 0.060" orifice

Manifold mount base shown permits fast, secure mounting of electronic valves to manifolds for grouping in compact assemblies. Alternate standard model has convenient mounting holes.



ETO and similar styles have top #10-32 threaded fitting for N.C. exhaust or N.O. inlet.

Fittings should be tightened to a maximum of 9 in.-lb.

Quick-connect spade lugs are of tinned brass and furnished on all ET models. EV models are available with 18" wire leads for popular voltages. EC models are furnished with 0.025" square pin connector.

Clippard Electronic Valves are unique, with only one internal moving part that travels a mere 0.007".

Valves are small in size with a variety of mounting options. Ideal for use in biomedical, test equipment, machines, computer-directed industrial systems, and in portable devices.

Hytrel® is a registered trademark of DuPont



All Clippard standard ET, EC and EV valves and Clippard R-481 and R-482 valves are recognized under the Component Program of Underwriters Laboratories, Inc.

File No. MH 13573

Clippard Minimatic electronic valves are precision-built 2-way or 3-way control valves, utilizing a unique, patented, valving principle. There are no sliding parts. Complete poppet travel is a mere 0.007". As a result, low power consumption and exceptionally long life are major benefits of this design.

The valves are very quiet in operation and also very cool. No flow is needed for cooling. The valves' small size makes them well suited to a wide range of applications in biomedical, EDP, environmental test equipment, textile machines, packaging machinery, computerized industrial automation, and portable systems.